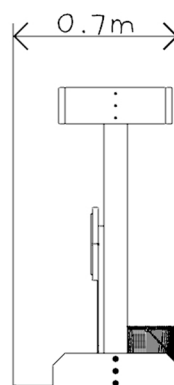
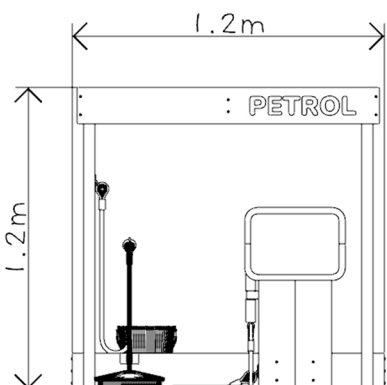
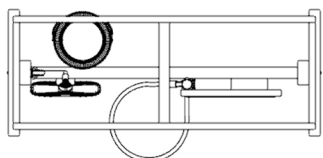




Freestanding Petrol Station



Specification:



Age Range: 2+



Critical Fall Height:

N/A



Unit Size:

1.2m x 0.7m x 1.2m



Free Space:

3.2m x 2.6m (8.3m²)

