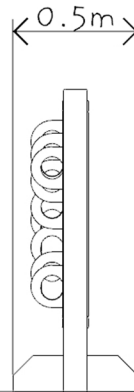
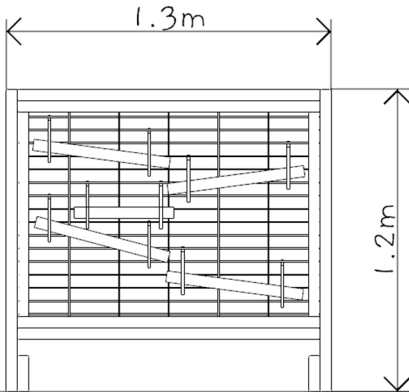
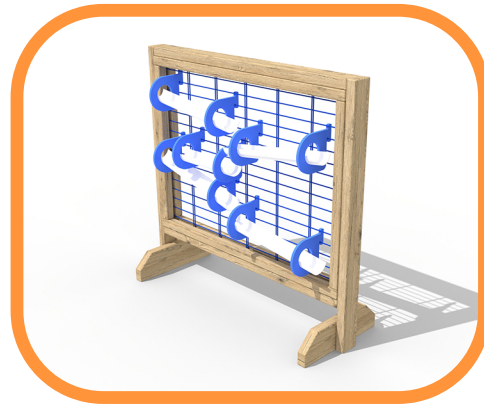
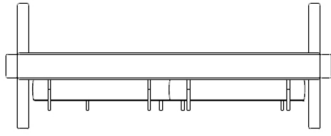




Gutter Wall



Specification:



Age Range: 2+



Critical Fall Height:

N/A



Unit Size:

1.3m x 0.5m x 1.2m



Free Space:

3.3m x 2.5m (8.3m²)

