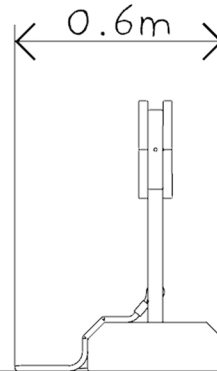
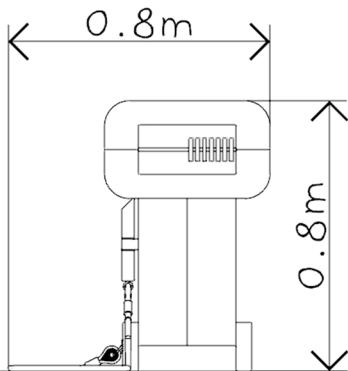
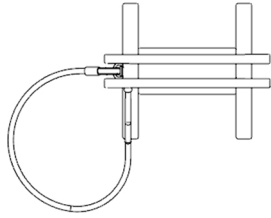




Freestanding Fuel Pump



Specification:



Age Range: 2+



Critical Fall Height:

N/A



Unit Size:

0.8m x 0.6m x 0.8m



Free Space:

2.8m x 2.6m (7.3m²)

