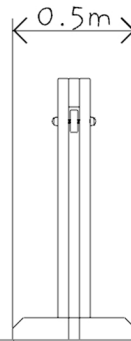
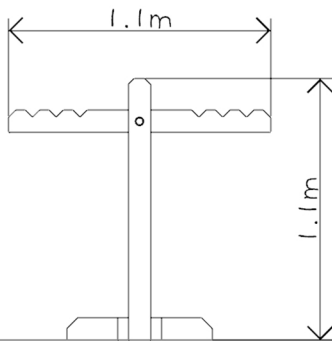
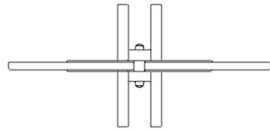




Freestanding Scales



Specification:



Age Range: 2+



Critical Fall Height:

N/A



Unit Size:

1.1m x 0.5m x 1.1m



Free Space:

3.1m x 2.5m (7.8m²)

