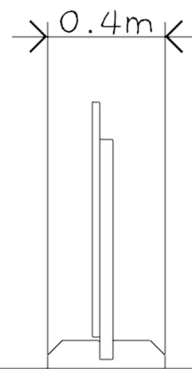
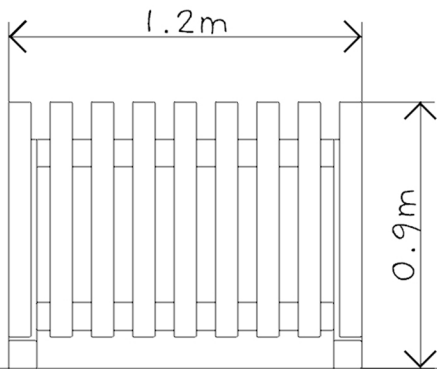
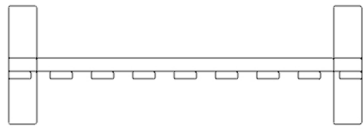




Freestanding Fence Panel



Specification:



Age Range: 2+



Critical Fall Height:

N/A



Unit Size:

1.2m x 0.4m x 0.9m



Free Space:

3.2m x 2.4m (7.7m²)

